

Models

200DX 

200DX-E Non UL

The 200DX is designed to bring fresh, filtered air into your home while simultaneously exhausting stale air. No matter what the season or climate, you will remain comfortable and breathing fresh clean air indoors.



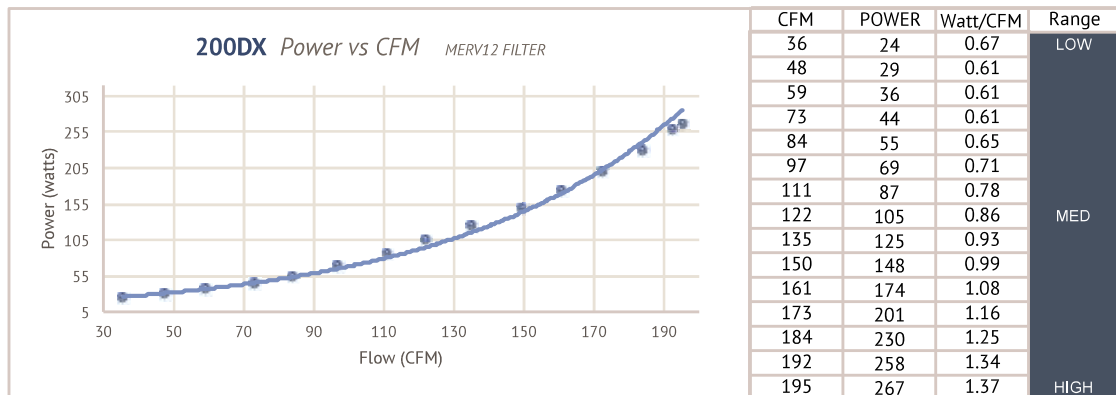
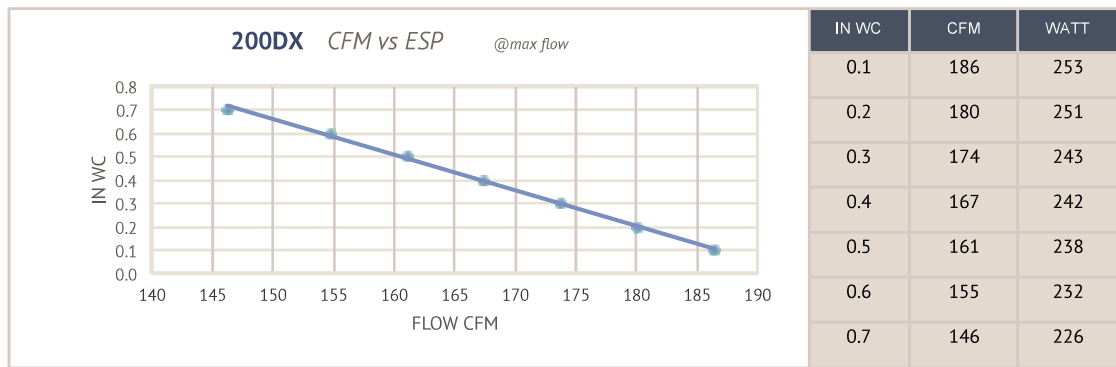
Standard Features

- ✓ Variable Air Flow 30 - 200 CFM
- ✓ Independent Brushless EC Motors
- ✓ Air Flow Control Dial
- ✓ MERV 12 Filtration
- ✓ Fully Insulated
- ✓ No condensation drain necessary
- ✓ Automatic Frost Prevention down to 10° F

- ✓ 2-Year Warranty and 5-year extended available
- ✓ Permanently lubricated Ball Bearings throughout
- ✓ Quiet Operation & Low/Easy maintenance
- ✓ Engineered and Made In The USA

Exceeds ASHRAE 62.2 & Passive House ventilation recommendations

UltimateAir 200DX		Tested CAN/CSA-C439-09		
	Supply Temperature °F	Net Airflow CFM	Sensible Recovery Efficiency	Apparent Sensible Effectiveness
HEATING	32	155	83	96
	39.2	155	82	98
	17.6	131	84	96
COOLING	95	146	36 TRE	75

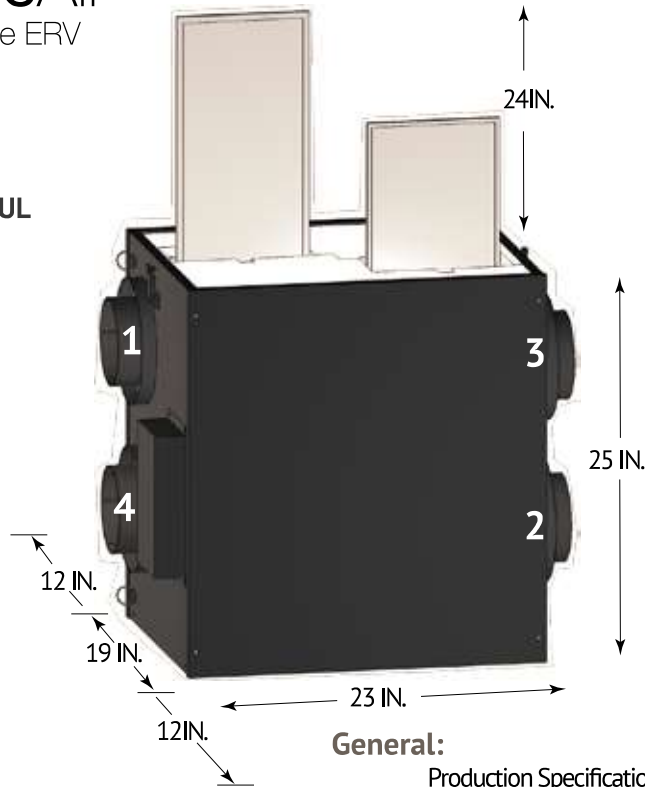


Models

200DX 

200DX-E Non UL

- 1 Fresh Outdoor Air
- 2 Fresh Supply to Indoors
- 3 Extract from Indoors
- 4 Exhaust to Outdoors



Dual Purpose Washable MERV 12 FILTER
with 99% ASE ENERGY TRANSFER

ELECTRICAL REQUIREMENTS:

120 Volt AC - 3 Prong Plug - 10 Amp Circuit

6.0 amp No Pre-Heat, 12amp with Pre-Heat

267 Watts No PH, 1267 w/ PH

Unit Weight 80 lb (36 kg)

General:

Production Specification

The unit shall be a packaged Energy Recovery Ventilator (ERV) rated for continuous operation between 20 & 200 CFM with brushless motor technology.

Safety Standards & Performance:

- A. UL 1812 & CSA 22.2 Listed [200DX]
- B. Performance Tested to CSA 439

Warranty:

The unit shall be warranted to be free of manufacturing defects and to retain its functional characteristics, under circumstances of normal use, and with specified maintenance, for a period of two (2) years from the date of purchase.

Installation:

The unit shall be capable of being mounted either horizontally or vertically.

Ducting

- A. Insulated flexible duct shall be used for immediate connection to unit (preventing vibration transfer).
- B. Duct diameter shall be 6 or 8 inch immediately connected to unit.

Project:	REMARKS
Location:	
Qty:	
Submitted by:	Date:

Toll Free: +1 (888) 992-2889
 Montreal: +1 (438) 388-7700
 Eastern Ontario: +1 (613) 869-7425
 GTA: +1 (647) 849-5629

info@petrabuildingsolutions.com
www.petrabuildingsolutions.com