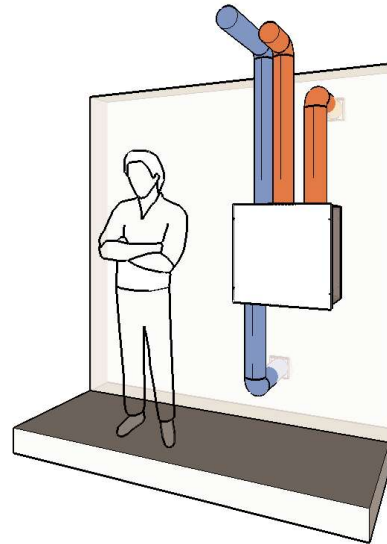




Models

**ER80M**

**ER80M-E** non UL



### Multi-Family Energy Recovery Ventilation

The Ideal solution to limited space ventilation.

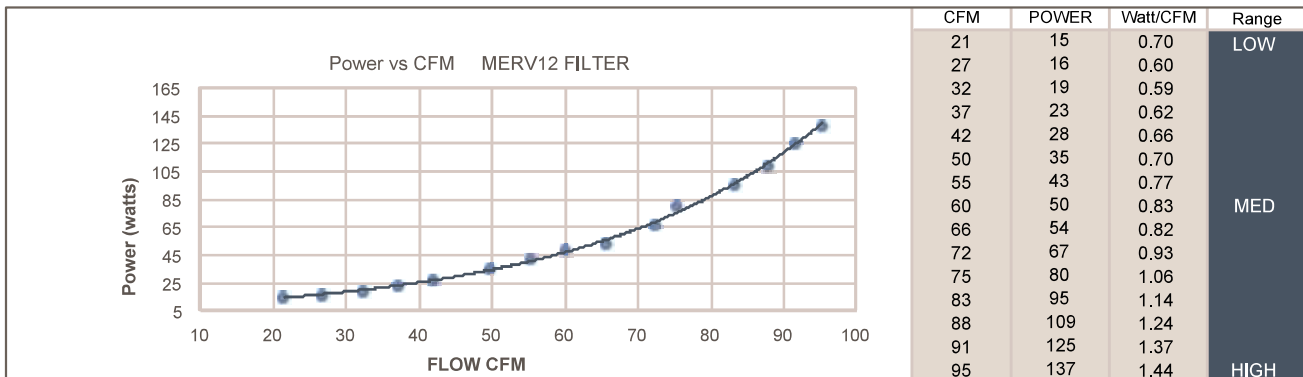
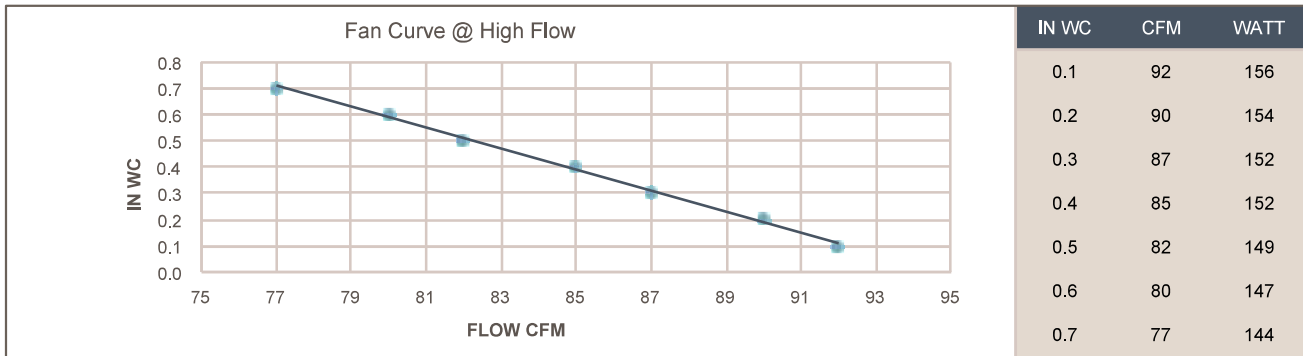
Engineered with versatile duct port layouts allowing an easy fit into any home, condo, hotel or space limited project.

#### Standard Features

- ✓ Variable Air Flow 20 - 100 CFM
- ✓ Independent Brushless EC Motors
- ✓ Air Flow Control Dial
- ✓ MERV 12 Filtration
- ✓ Fully Insulated
- ✓ No condensation drain necessary
- ✓ Automatic Frost Prevention down to 10° F
  
- ✓ 2-Year Warranty and 5-year extended available
- ✓ Permanently lubricated Ball Bearings throughout
- ✓ Quiet Operation & Low/Easy maintenance
- ✓ Engineered and Made In The USA

Exceeds ASHRAE 62.2 & Passive House ventilation recommendations

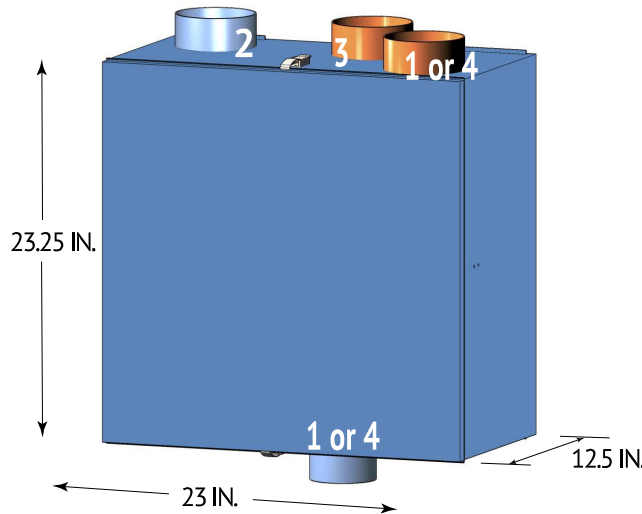
UltimateAir ER80M		Tested CAN/CSA-C439-09		
	Supply Temperature °F	Net Airflow CFM	Sensible Recovery Efficiency	Apparent Sensible Effectiveness
HEATING	32	89	84	99
	39.2	89	82	99
	17.6	89	88	99
	5	89	81	97
COOLING	95	89	45 TRE	79



Models

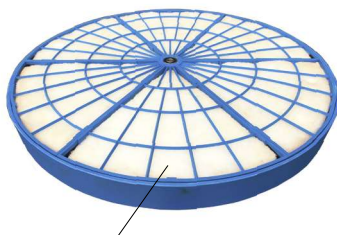
**ER80M** 

**ER80M-E** non UL



1 Fresh Outdoor Air  
2 Fresh Supply to Indoors

3 Extract from Indoors  
4 Exhaust to Outdoors



Dual Purpose Washable MERV 12 FILTER  
with 99% ASE ENERGY TRANSFER

<b>ELECTRICAL REQUIREMENTS:</b>
120 Volt AC - 3 Prong Plug - 10 Amp Circuit
3 amp No Pre-Heat, 6 amp with Pre-Heat
280 Watts No PH, 600 with PH

**Unit Weight 60 lb (27 kg)**

**General:**

Production Specification

The unit shall be a packaged Energy Recovery Ventilator (ERV) rated for continuous operation between 20 & 100 CFM with brushless motor technology.

**Safety Standards & Performance:**

- A. UL 1812 & CSA 22.2 Listed [ ER80M ]
- B. Performance Tested to CSA 439

**Warranty:**

The unit shall be warranted to be free of manufacturing defects and to retain its functional characteristics, under circumstances of normal use, and with specified maintenance, for a period of two (2) years from the date of purchase.

**Installation:**

The unit shall be capable of being mounted either horizontally or vertically.

**Ducting**

- A. Insulated flexible duct shall be used for immediate connection to unit (preventing vibration transfer).
- B. Duct diameter shall be 5 inch immediately connected to unit.

Project:	REMARKS
Location:	
Qty:	
Submitted by:	Date:



Toll Free: +1 (888) 992-2889  
 Montreal: +1 (438) 388-770  
 Eastern Ontario: +1 (613) 869-7425  
 GTA: +1 (647) 849-5629  
[info@petrabuildingsolutions.com](mailto:info@petrabuildingsolutions.com)  
[www.petrabuildingsolutions.com](http://www.petrabuildingsolutions.com)

11/09/2017