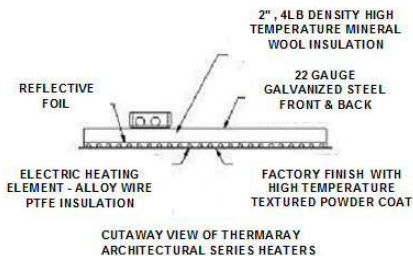
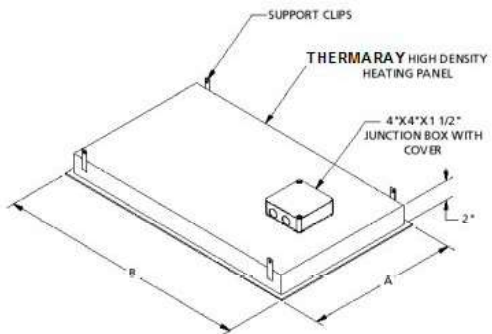




ARCHITECTURAL SERIES SYSTEM Installation Guide

Whether you're a contractor, architect, builder or homeowner, creating the perfect indoor environment has always been a challenge. ThermaRay, the world's #1 name in thermal comfort systems introduces you to the ultimate heating solutions. Please take the time to read this installation guide carefully before you begin. Remember, accurate measurements are the key to success for a proper installation!

Suspended Heaters: Each heater comes equipped with four suspension clips. A wire or chain is connected to the clips to carry the weight of the heating panel.



MECHANICAL INSTALLATION

Before beginning installation, check heating panel(s) for damage. Do not install damaged panels. ThermaRay commercial heaters Series AS may be installed in suspended "T-Bar" ceiling systems or surface or recess mounted using optional mounting frames. For surface or recess mounting, refer to mechanical installation instructions provided with mounting frame kits. Minimum recommended installed height from floor is 8 eight feet (2.4 meters). Once the support channeling is erected, the heaters may be laid in desired locations.

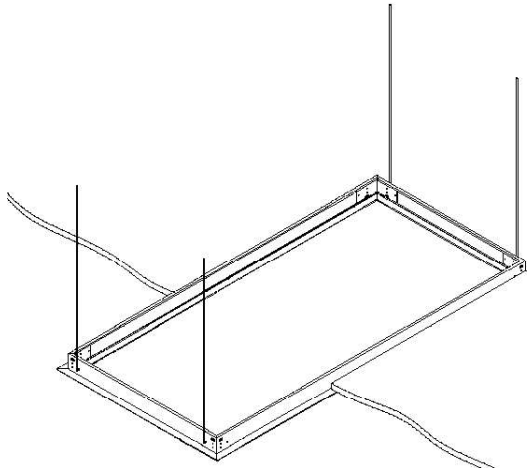
BRANCH CIRCUIT CONNECTION

ThermaRay Architectural Series heaters are to be connected in parallel to the branch circuit. Canadian installations shall be made according to the provisions of Section 62 of the Canadian Electrical Code, Part 1, and to regulations of all authorities having jurisdiction. U.S. installations are to be made in accordance with the National Electrical Code and local codes where applicable. When determining the number of branch circuits required to accommodate the heating load, note the branch circuit must be derated in accordance with Canadian Electrical Code or National Electrical Code as applicable. For proper heater performance, ensure the supply voltage matches the voltage printed on the heater nameplate. DO NOT connect the heater to a higher voltage. Connection to lower voltages is permitted but will cause the heater to operate at a reduced wattage. Ensure the electrical supply is de-energized before connection in an approved box using approved wire nuts. Do not lay outlet on heated panel. Replace outlet box cover before energizing.

The difference between heat and comfort.



Plaster Frame Kit Option



CATALOGUE#	VOLTAGE	WATTS	WIDTH(IN)	LENGTH(IN)	WEIGHT (LBS)
AS2424-375-208	208	375	24	24	15
AS2448-525-208	208	525	24	48	30
AS2448-625-208	208	625	24	48	30
AS2448-750-208	208	750	24	48	30
AS1448-300-240	240	300	14	48	18
AS1448-435-240	240	435	14	48	18
AS1460-375-240	240	375	14	60	22
AS1460-550-240	240	550	14	60	22
AS2424-250-240	240	250	24	24	15
AS2424-375-240	240	375	24	24	15
AS2448-500-240	240	500	24	48	30
AS2448-725-240	240	725	24	48	30
AS1460-540-347	347	540	14	48	22
AS2448-500-347	347	500	24	48	30
AS2448-700-347	347	700	24	48	30
AS2448-750-347	347	750	24	48	30

SURFACE MOUNTING FRAMES

SF1448	14	48	8
SF1460	14	60	10
SF22	24	24	4
SF24	24	48	9

PLASTER MOUNTING FRAMES

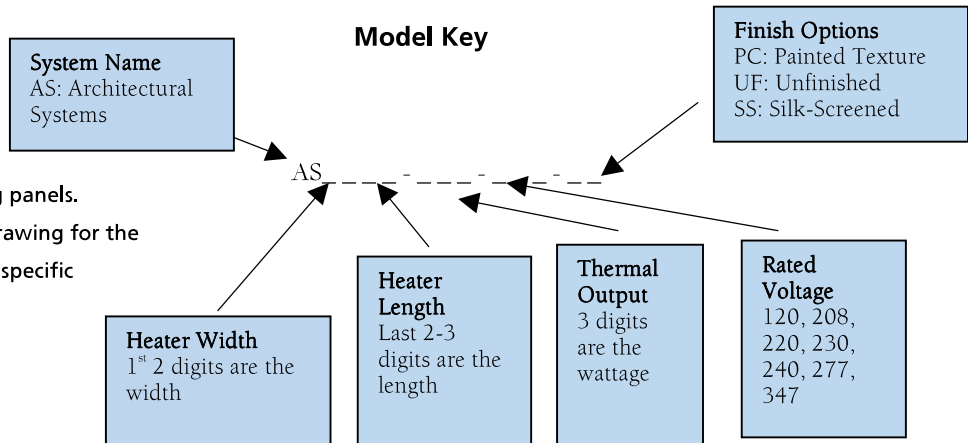
PF1448	14	48	5
PF1460	14	60	6
PF22	24	24	2
PF24	24	48	4

FINAL INSTALLATION

Remaining grid spaces may be filled with acoustic decorator tiles as desired.

Ensure there is access to supply connectors through adjacent non-heating panels.

CONTROLS - refer to the control layout drawing for the various configurations that apply to your specific installation.



Distributed by:
Petra Building Solutions Inc.
 Toll Free: +1 (888) 992-2889
 Montreal: +1 (438) 388-7700
 Ottawa-Kingston: +1 (613) 869-7425
 Toronto: +1 (647) 849-5629
info@petrabuildingsolutions.com
www.petrabuildingsolutions.com



ACCESSORIES

SR-240/120 ThermaRay Comfort Controller

NOTE: Heaters are available in 120, 208, 240, 277 and 347 volts. When ordering, add desired voltage as a suffix number (example: AS2448-500-240). Other size panels are available upon request.

Conforms to UL STD 2021
 Certified to CSA STD C22.2 No.46.

Revised January 30, 2017